

# Linea

## INSTALLATION MANUAL

### LINEA SCONCE

Ref.#: SM.09.233\_ \_ \_  
15W AC LED module  
3000K, CRI 90, 13500lm



All products are manufactured to meet or exceed North American standards C22.2-250, UL 1598, C22.2-12, C22.2.9, UL 153.



VISO LIGHTING



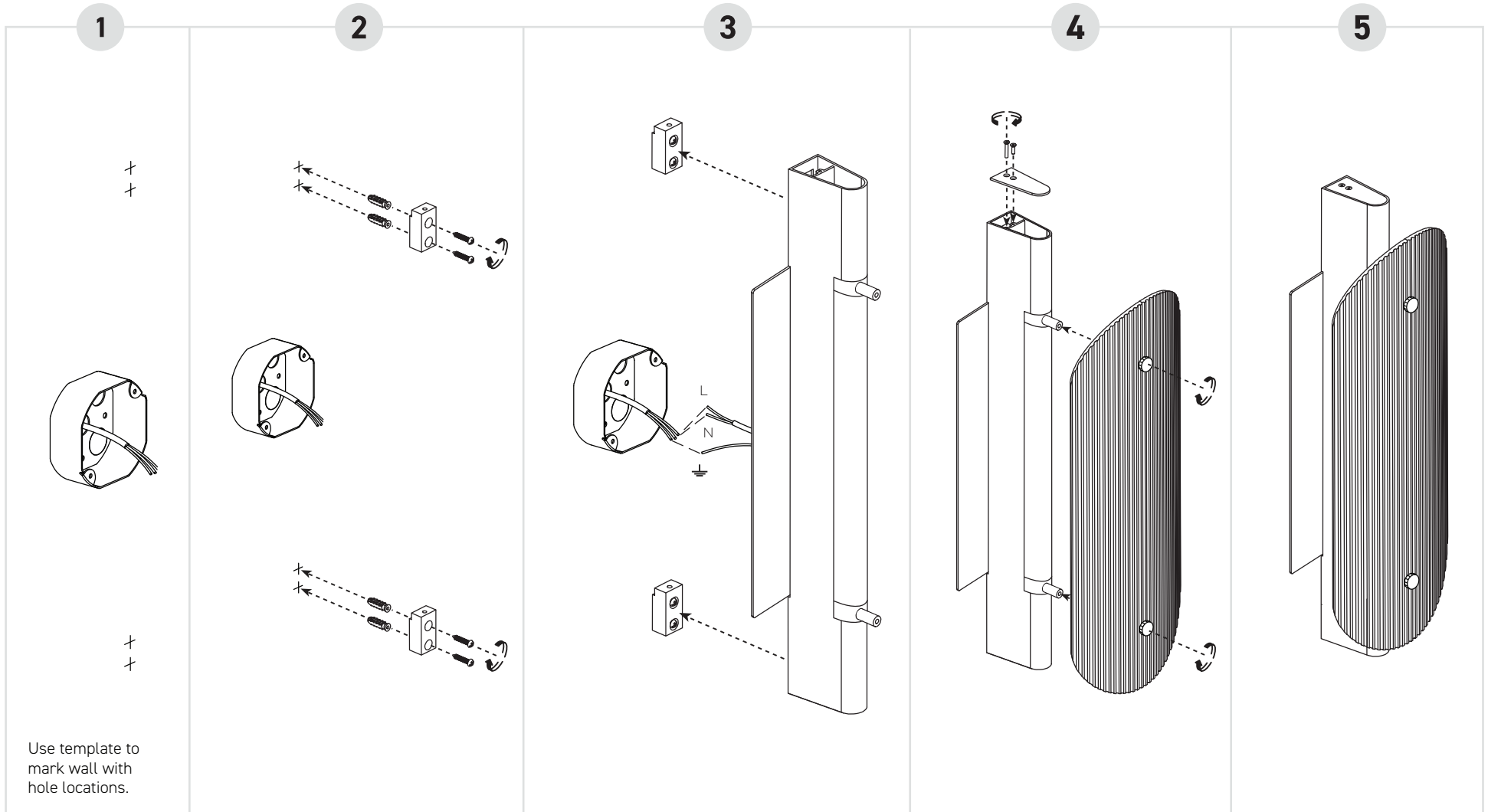
### IMPORTANT

Always shut off power before cleaning and maintenance.

All preparation for installation of fixture is to be provided by the end user.

The description and measurements on this drawing are for information purposes only.

VISO © 2021 All rights reserved.



# Linea

## INSTALLATION MANUAL

### LINEA SCONCE

Ref.#: MM.09.233.\_ \_  
30W AC LED module  
3000K, CRI z90, 2700lm



All products are manufactured to meet or exceed North American standards C22.2-250, UL 1598, C22.2-12, C22.2.9, UL 153.



VISO LIGHTING



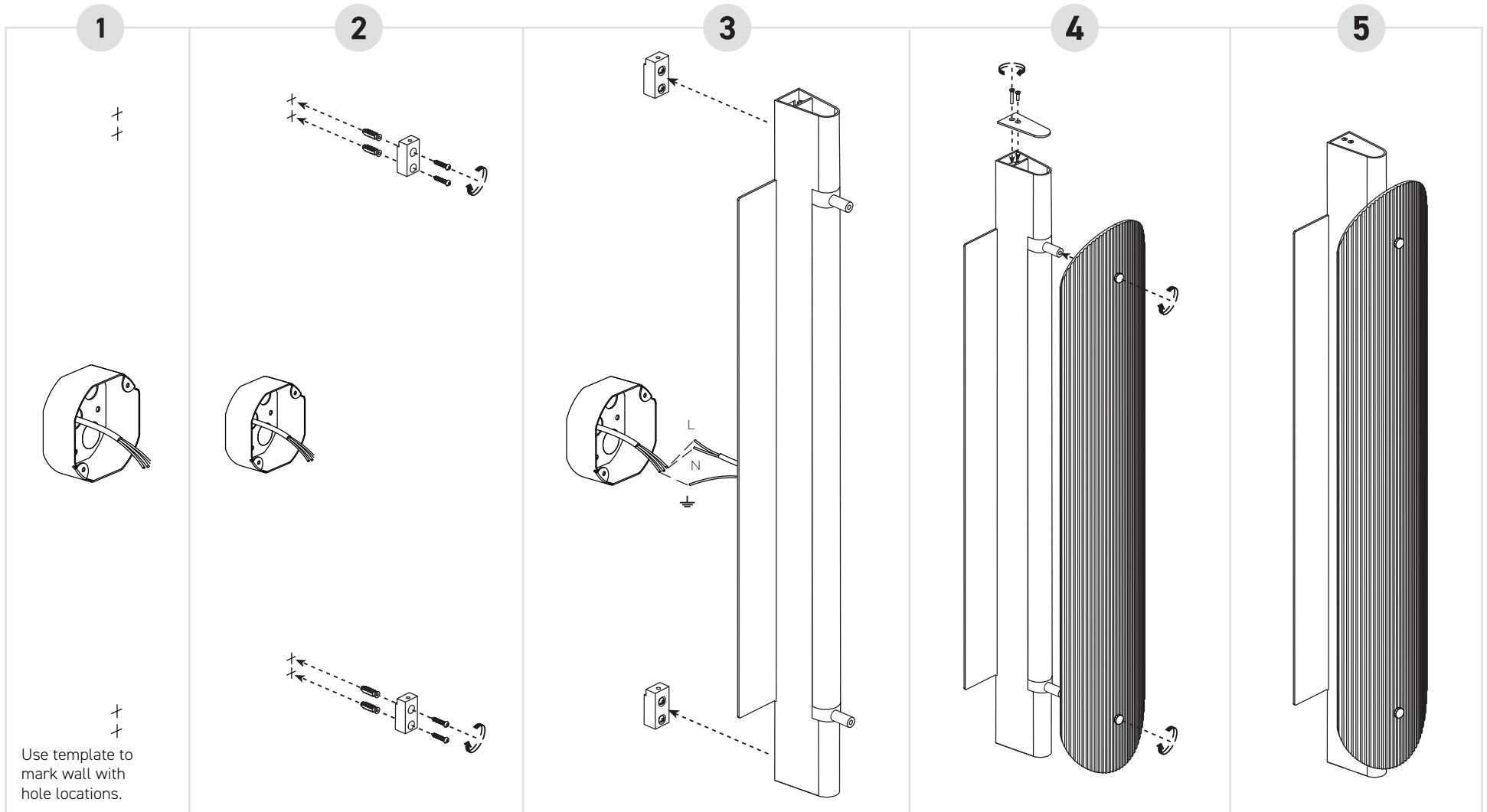
### IMPORTANT

Always shut off power before cleaning and maintenance.

All preparation for installation of fixture is to be provided by the end user.

The description and measurements on this drawing are for information purposes only.

VISO © 2021 All rights reserved.



# Linea

## INSTALLATION MANUAL

### LINEA SUSPENSION

Ref.#: GM.07.233.\_.\_

60W AC LED module

3000K, CRI z90, 5400lm



#### IMPORTANT

Always shut off power before cleaning and maintenance.



All products are manufactured to meet or exceed North American standards C22.2-250, UL 1598, C22.2-12, C22.2.9, UL 153.

All preparation for installation of fixture is to be provided by the end user.

The description and measurements on this drawing are for information purposes only.

VISO © 2021 All rights reserved.



VISO LIGHTING

